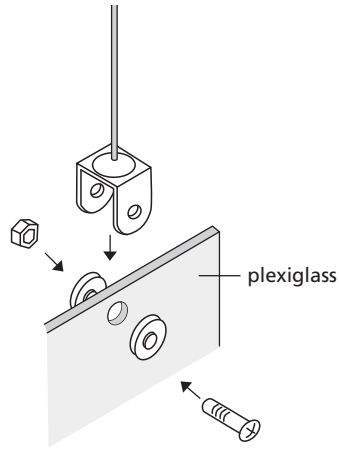
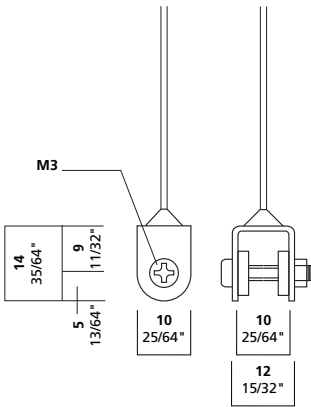


# A016



## °A016

A clevis fitting attached to the end of 3/64" cable; use A016 for hanging lightweight signs or panels up to 1/4" (8 mm) thick.



### ° Product Information

#### cable size

3/64" 1.0 mm

1

#### maximum weight

3/64": 40 lbs. 18 kg

#### function

midway: clevis fitting with 6 ft cable

#### installation instructions

Drill 1/8" diameter hole 1/4" from edge of panel to center of hole.  
 Unscrew bolt from clip and align the clip with the holes in the panel.  
 Reattach bolt. .

### Arakawa Hanging Systems

2505 SE 11th Avenue, Suite 122

Portland, Oregon 97202

phone: 503.236.0440

fax: 503.236.0427

toll free: 888.272.5292

[www.arakawagrip.com](http://www.arakawagrip.com)



Copyright © 2007 Arakawa & Co., Ltd. All rights reserved.  
 Arakawa products are covered by U.S. and foreign patents, issued and pending. Specification and price change privileges reserved.