

BRT1S



°BRT1S

The BRT1 rotating Gripper is ideal as a versatile holder for lighter weight vertical panels. The 360 degree rotation allows the same hardware to be used for either the top, sides, or bottom of rectangular or trapezoidal panels.

° Product Information

cable size

3/64" 1.2 mm

1/16" 1.5 mm

1-2

maximum weight

3/64": 40 lbs. 18 kg

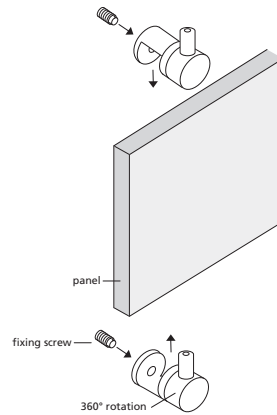
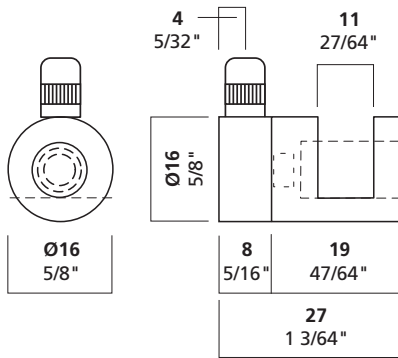
1/16": 65 lbs. 30 kg

function

midway: glass, plexiglass, metal, etc.

installation instructions

Attach separate BRT1 to top and bottom of panel, fasten with screw.
Install onto cable.



Arakawa Hanging Systems

2505 SE 11th Avenue, Suite 122

Portland, Oregon 97202

phone: 503.236.0440

fax: 503.236.0427

toll free: 888.272.5292

www.arakawagrip.com

Copyright © 2007 Arakawa & Co., Ltd. All rights reserved.
Arakawa products are covered by U.S. and foreign patents, issued and pending. Specification and price change privileges reserved.

