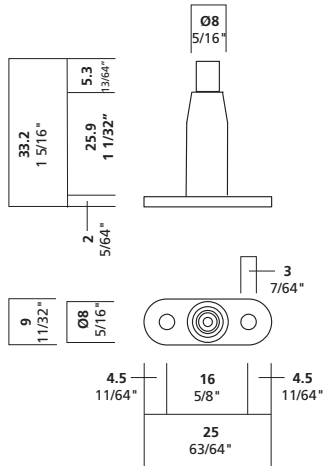


BS60SET



°BS60SET

BS60 incorporates the bullet shaped body with a rectangular plate, permitting installations into wood ceilings, rafters and the like.



° Product Information

cable size

3/64" 1.2 mm

1/16" 1.5 mm

1-2

maximum weight

3/64": 40 lbs. 18 kg

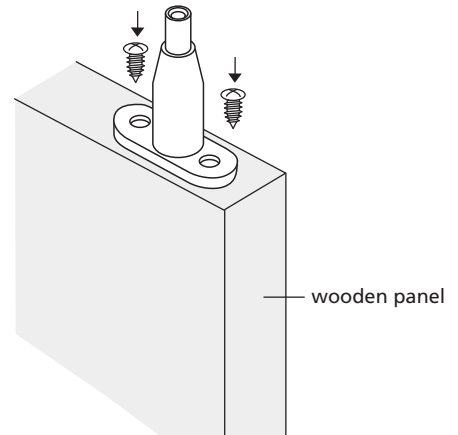
1/16": 65 lbs. 30 kg

function

midway: wood, plexiglass, metal

installation instructions

Screw to ceiling or panel with two #4 screws. Insert cable.



Arakawa Hanging Systems

2505 SE 11th Avenue, Suite 122

Portland, Oregon 97202

phone: 503.236.0440

fax: 503.236.0427

toll free: 888.272.5292

www.arakawagrip.com

Copyright © 2007 Arakawa & Co., Ltd. All rights reserved. Arakawa products are covered by U.S. and foreign patents, issued and pending. Specification and price change privileges reserved.

