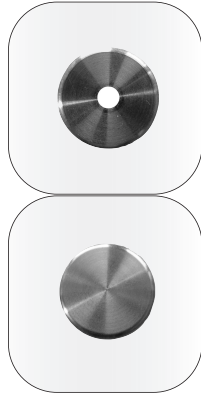


C2RPS/ C2RPSTH



Through Hole

Solid Cap

°C2RPS/ C2RPSTH

Use as a puck connector for horizontal panel displays or shelving. The C2RPS provides a clean stainless steel finish on the underside of material. Cable passes completely through the C2RPSTH and allows stacking of shelves and panels. Will hold materials up to 1" thickness. Includes a safety cap to prevent unintentional movement.

Not for glass installations.

° Product Information

cable size

1/16" 1.5 mm
3/32" 2.5 mm

maximum weight

1/16": 65 lbs. 30 kg
3/32": 155 lbs. 70 kg

function

midway: puck for shelves, horizontal panels

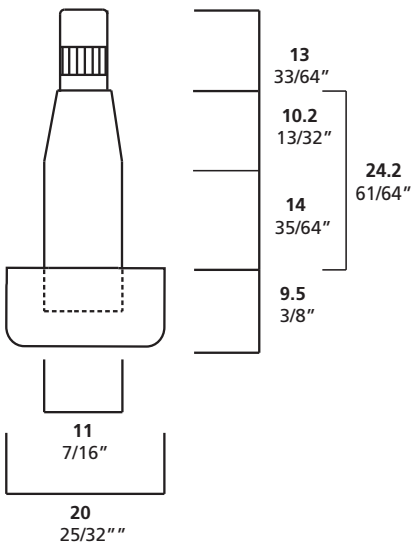
installation instructions

Midway: As shelf support, drill 1/2" Ø hole in shelf or panel material. Will support up to 1" thickness.

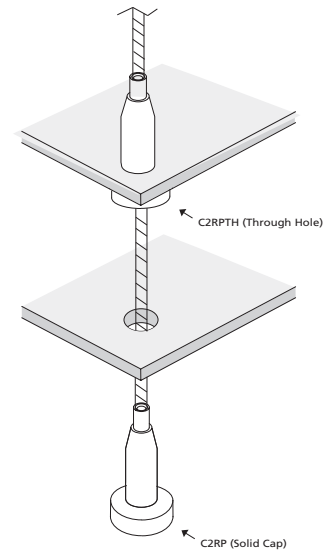
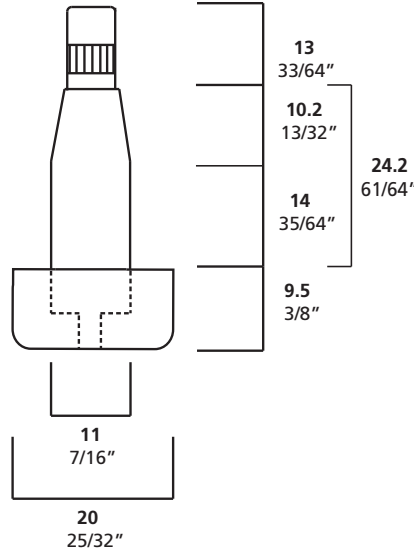
*** Not for glass installations.**

2-3

C2RPS



C2RPSTH



Arakawa Hanging Systems

2505 SE 11th Avenue, Suite 122
Portland, Oregon 97202
phone: 503.236.0440
fax: 503.236.0427
toll free: 888.272.5292

www.arakawagrip.com



Copyright © 2009 Arakawa & Co., Ltd. All rights reserved. Arakawa products are covered by U.S. and foreign patents, issued and pending. Specification and price change privileges reserved.