

# FMG-Type



**°FMG1**



**°FMG2**

The FMG rotating in-line Gripper is ideal for glass shelves and lightweight panels. The 360 degree rotation allows the same hardware for horizontal or angled shelves. An in-line function allows the Gripper (and any attached hardware) to be installed on or removed from a tensioned cable. Will hold a vertical panel using a plastic-tipped set screw. The allowable weight for panels depends on panel materials used and conditions of the installation space.

**Product Information**

**cable size**

1/16" 1.5 mm

**maximum weight**

1/16": 65 lbs. 30 kg

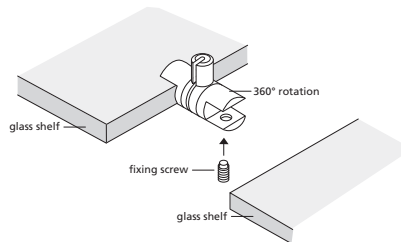
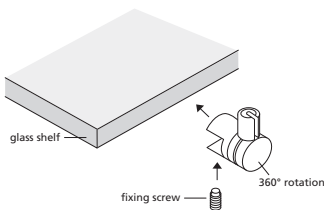
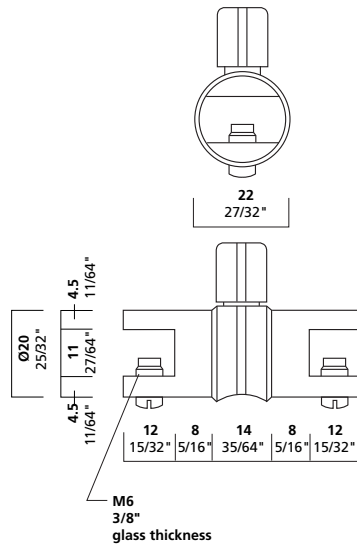
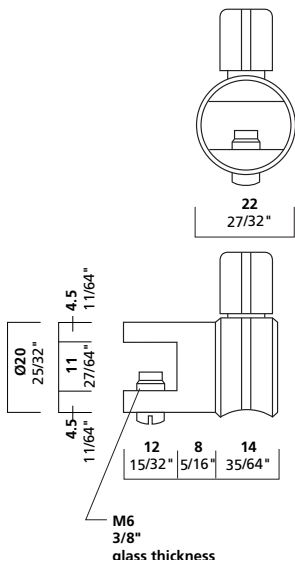
**function**

midway: horizontal, angled;  
or vertical glass shelves  
note: please size panels accordingly,  
and retighten set screws regularly.

**installation instructions**

Clear pad should go on top of shelf  
(between FMG and top of shelf).  
Attach FMG to glass shelf, then attach  
to suspended cable. Note special  
instructions on page 4 for In-line  
fastening type.

2



**Arakawa Hanging Systems**

2505 SE 11th Avenue, Suite 122  
Portland, Oregon 97202  
phone: 503.236.0440  
fax: 503.236.0427  
toll free: 888.272.5292

[www.arakawagrip.com](http://www.arakawagrip.com)



Copyright © 2007 Arakawa & Co., Ltd. All rights reserved.  
Arakawa products are covered by U.S. and foreign patents, issued  
and pending. Specification and price change privileges reserved.