

FSG1S



°FSG1S

FSG was designed as an economical alternative for installations where the flexibility of FR-Type grippers is unnecessary. For those times when a shelf will be only horizontal, Arakawa FSG-Type grippers offer a quick, safe and easy install.

° Product Information

cable size

1/16" 1.5 mm
3/32" 2.5 mm

maximum weight

1/16": 65 lbs. 30 kg
3/32": 155 lbs. 70 kg

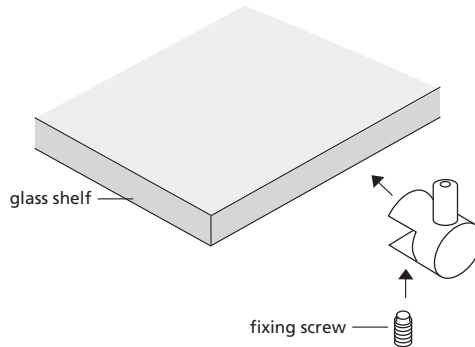
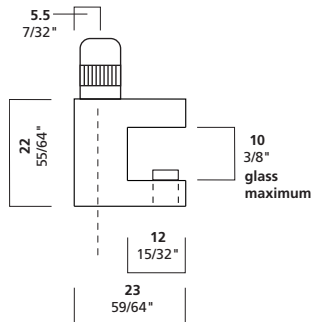
function

midway: use with glass, plexiglass, metal, etc.

installation instructions

Clear pad should go on top of shelf (between FSG and top of shelf).
Attach FSG to glass shelf, then attach to suspended cable.

2-3



Arakawa Hanging Systems

2505 SE 11th Avenue, Suite 122
Portland, Oregon 97202
phone: 503.236.0440
fax: 503.236.0427
toll free: 888.272.5292

www.arakawagrip.com



Copyright © 2007 Arakawa & Co., Ltd. All rights reserved.
Arakawa products are covered by U.S. and foreign patents, issued and pending. Specification and price change privileges reserved.