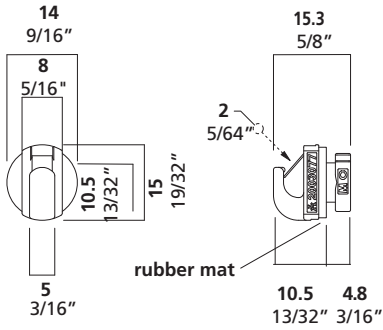


MCD6S



°MCD6S

The MCD6 is a rail hook for attaching looped cable to inset wall mounted CRC rail. With the addition of the carabiner-like hook closure, this part offers additional safety for higher traffic areas or seismic events.



° Product Information

cable size

3/64" 1.2 mm

1/16" 1.5 mm

1-2

maximum weight

3/64": 40 lbs. 18 kg

1/16": 65 lbs. 30 kg

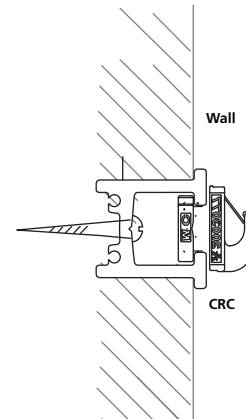
function

rail clip for inset wall mounted CRC rail.

installation instructions

With open side of clip facing left, insert hammerfoot into wall mounted CRC rail. Turn MCD6 90° clockwise.

Open side of hook should face upward.



Arakawa Hanging Systems

2505 SE 11th Avenue, Suite 122

Portland, Oregon 97202

phone: 503.236.0440

fax: 503.236.0427

toll free: 888.272.5292

www.arakawagrip.com

Copyright © 2008 Arakawa & Co., Ltd. All rights reserved. Arakawa products are covered by U.S. and foreign patents, issued and pending. Specification and price change privileges reserved.

