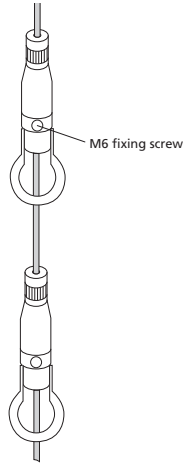
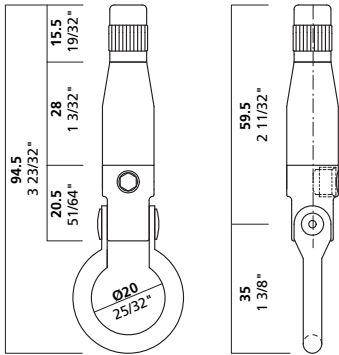


MF21S



°MF21S

MF21S incorporates the familiar bullet shaped Gripper body into a ring. The MF21S works well for banners, flags and other materials. It includes a set screw for additional security.



° Product Information

cable size

1/8" 3.0 mm

maximum weight

220 lbs. 100 kg

function

midway: ring

installation instructions

Loosen safety cap until only two threads are still on. Insert cable.
Tighten safety cap.

4

Arakawa Hanging Systems

2505 SE 11th Avenue, Suite 122

Portland, Oregon 97202

phone: 503.236.0440

fax: 503.236.0427

toll free: 888.272.5292

www.arakawagrip.com



Copyright © 2007 Arakawa & Co., Ltd. All rights reserved.
Arakawa products are covered by U.S. and foreign patents, issued and pending. Specification and price change privileges reserved.