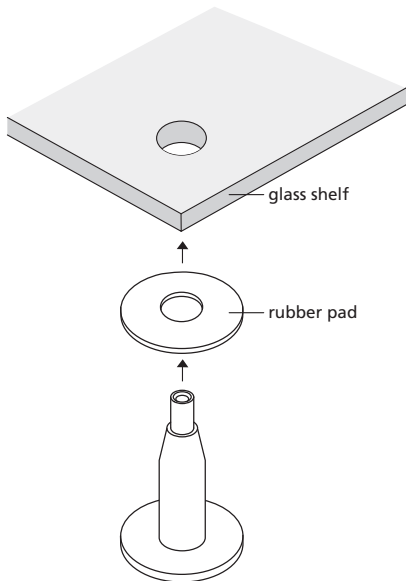


# MF35SR



## °MF35SR

MF35SR is a standard glass shelf support. The clean lines of the body offer a nice detail, while supporting up to 1" thick through-drilled glass.



### ° Product Information

**cable size**

1/8" 1.5 mm

**maximum weight**

1/8": 220 lbs. 100 kg

**function**

midway: glass, plexiglass shelves

**installation instructions**

Shelves: Drill 5/8" Ø hole in shelf at least 1.25" from edge of shelf, insert MF35SR in from bottom. Loosen safety cap almost completely; insert cable.

Adjust the MF35SR up and down the cable to set and level the shelves.

4

**Arakawa Hanging Systems**

2505 SE 11th Avenue, Suite 122

Portland, Oregon 97202

phone: 503.236.0440

fax: 503.236.0427

toll free: 888.272.5292

[www.arakawagrip.com](http://www.arakawagrip.com)

Copyright © 2008 Arakawa & Co., Ltd. All rights reserved.  
Arakawa products are covered by U.S. and foreign patents, issued and pending. Specification and price change privileges reserved.

