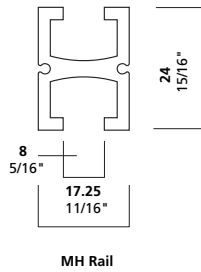
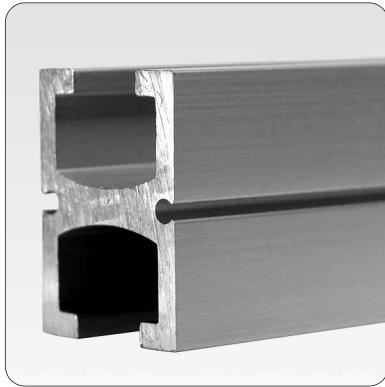


MH1800



°MH1800

The MH rail is ideal for hanging moderate weight art specimens. Rails attach either to ceiling or wall; rail clips can be moved along the rail, allowing you to position frames exactly where desired.

For ceiling installation, MH rails fasten to ceiling hangers using 5/16" bolts (see installation instructions).

For wall installations, use MH1LBSet (sold separately) to fasten the MH rail to a vertical surface.

° Product Information

cable size

1/16" 1.5 mm

3/32" 2.5 mm

2-3

maximum weight

1/16": 65 lbs. 30 kg

3/32": 155 lbs. 70 kg

function

ceiling or wall mounted rail

installation instructions

wall-mount;

Attach MH rail to the wall with

#MH1LB.

ceiling-mount;

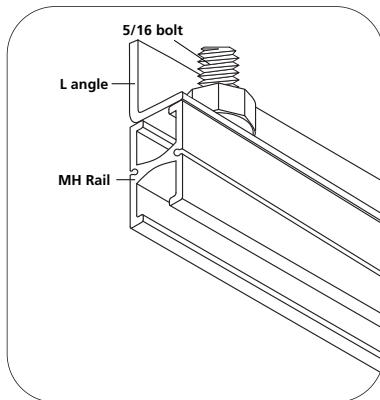
To attach MH rail to the ceiling use

5/16" all thread and matching nuts

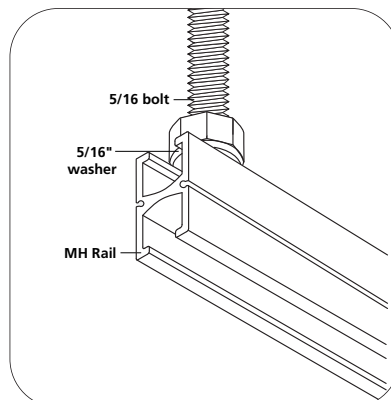
(not supplied). The track needs to be

supported at a maximum of 24"

between supports.



Wall Mount Example



Ceiling Mount Example

Arakawa Hanging Systems

2505 SE 11th Avenue, Suite 122

Portland, Oregon 97202

phone: 503.236.0440

fax: 503.236.0427

toll free: 888.272.5292

www.arakawagrip.com



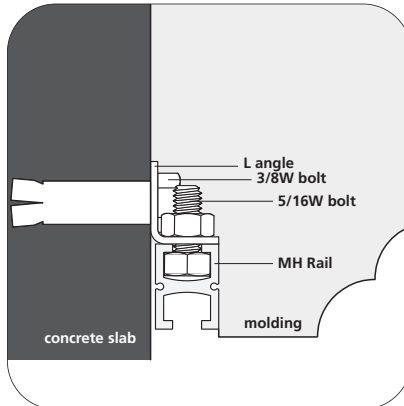
Copyright © 2008 Arakawa & Co., Ltd. All rights reserved. Arakawa products are covered by U.S. and foreign patents, issued and pending. Specification and price change privileges reserved.

MH Rail Mount & Assembly

MH rail can be installed either to the ceiling or the wall. Instructions are different for each type.

Wall Installation

- Step 1**
Determine and mark desired location of rails.
Use a level if necessary. If you plan to run the track the full length of the wall, begin in the corner or end of the wall area.
- Step 2**
Attach the MH1LBSet to the MH rail (figure 1).
- Step 3**
Now you are ready to attached the assembled rail to the wall. MH1LBSet should be spaced according to appropriate distances for your wall installation.
For example, for wood walls, space MH1LBSet to attach to studs, if mounting to cement or masonry, use appropriate anchors (not provided). Wall mounting points should be no more than 24" apart.
Greater distances will weaken the hanging system. Connect rails with the joint pin, part CREAP (purchased separately). When using alignment pin, there will be about 1/8" space between adjoining rails.

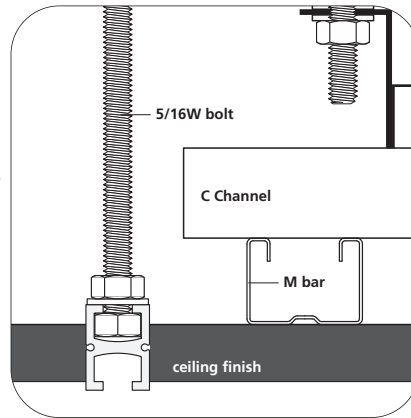


example: attaching angle iron on concrete slab

- Step 4**
Metal end caps, part MH1EC (sold separately), provide a neat finish for central wall installations and exposed corners. Also install molding or other coverings if desired at this time.

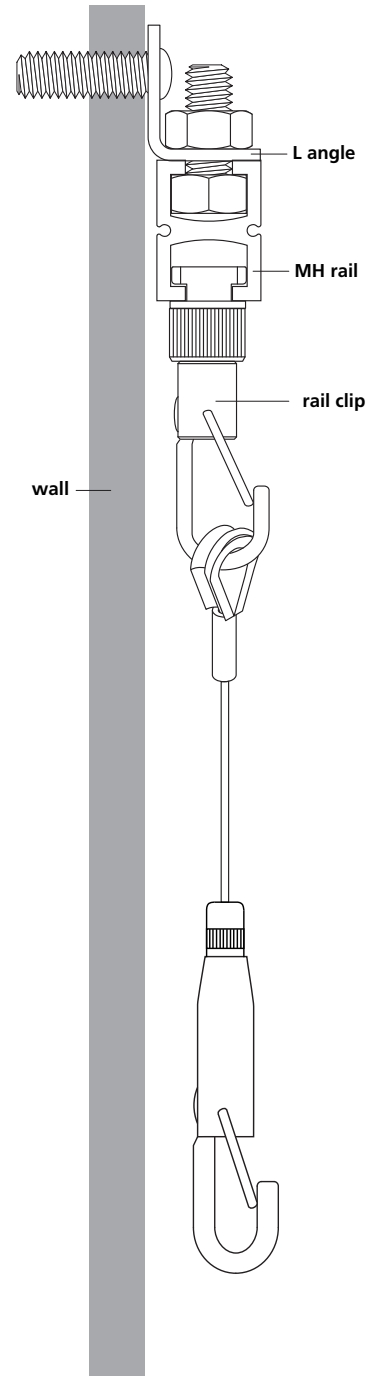
Ceiling Installation

- Step 1**
Determine and mark desired location of rails.
Use a level if necessary. If you plan to run the track the full length of the ceiling, begin at a wall.
- Step 2**
Attach the aluminum rail to the ceiling structure using 5/16" hangers (not provided) figure 2.
Connect rails with the joint pin, part CREAP (purchased separately). When using alignment pin, there will be about 1/8" space between adjoining rails.



example: hanging from reinforcing bar

- Step 3**
Metal end caps, part MH1EC (purchased separately), provide a neat finish for exposed ends.



Arakawa Hanging Systems

2505 SE 11th Avenue, Suite 122
Portland, Oregon 97202
phone: 503.236.0440
fax: 503.236.0427
toll free: 888.272.5292

www.arakawagrip.com

Copyright © 2008 Arakawa & Co., Ltd. All rights reserved.
Arakawa products are covered by U.S. and foreign patents, issued and pending. Specification and price change privileges reserved.

