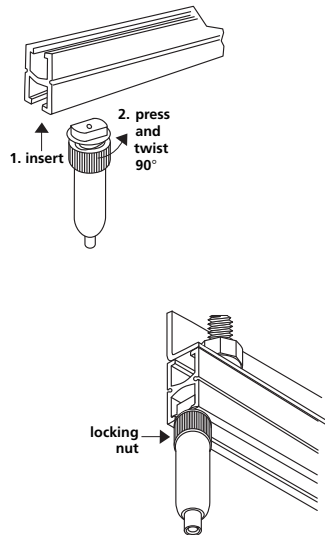
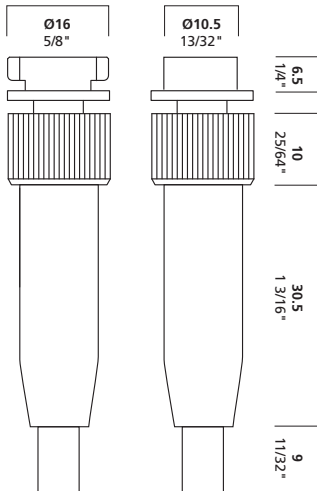


MS1BJ



°MS1BJ

The rail clips for the MH Rail are divided into two main categories: fixed and rolling. Within those categories, clips offer specific technical and esthetic features, providing flexibility within the same rail system. Use MS1BJ with soldered cable.



° Product Information

cable size

1/16" - 3/32" 1.5 - 2.5 mm

maximum weight

1/16": 65 lbs. 30 kg
3/32": 155 lbs. 70 kg

function

fixed rail clip

other rail clips for MH Rail

MJ1BJ, MHFB, MJ1C, MHFS

installation instructions

To install any type of the fixed clips, align properly, insert in rail, press and twist 90°, then tighten locking nut.

To move Arakawa rail clips along rails, loosen locking nut, and slide clip in rail. Tighten nut.

2-3

Arakawa Hanging Systems

2505 SE 11th Avenue, Suite 122

Portland, Oregon 97202

phone: 503.236.0440

fax: 503.236.0427

toll free: 888.272.5292

www.arakawagrip.com

Copyright © 2008 Arakawa & Co., Ltd. All rights reserved. Arakawa products are covered by U.S. and foreign patents, issued and pending. Specification and price change privileges reserved.

