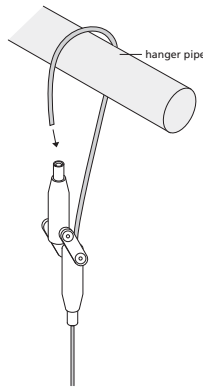
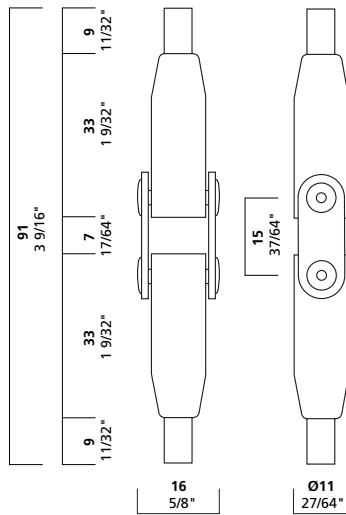


SF25



°SF25

A versatile gripper intended to make loops and nooses out of a single cable. The cable is inserted through the push pin of one Gripper, pulled over & around the beam/rod, and the cable end then inserted into the second Gripper. Also used to connect the ends of two cables, or to connect the end of one cable to the middle of another (i.e. to form grids, trellises or similar).



° Product Information

cable size

1/16" 1.5 mm
3/32" 2.5 mm

maximum weight

1/16": 65 lbs. 30 kg
3/32": 155 lbs. 70 kg

function

ceiling: loop around beam, rod
midway: loop rod, connect two cables

installation instructions

Feed cable into pin of one gripper, pulling completely through. Pull cable around hanger pipe (or similar) and feed cable end into pin of second gripper of SF25 (as shown).

2-3



Arakawa Hanging Systems

2505 SE 11th Avenue, Suite 122
Portland, Oregon 97202
phone: 503.236.0440
fax: 503.236.0427
toll free: 888.272.5292

www.arakawagrip.com

Copyright © 2007 Arakawa & Co., Ltd. All rights reserved.
Arakawa products are covered by U.S. and foreign patents, issued and pending. Specification and price change privileges reserved.