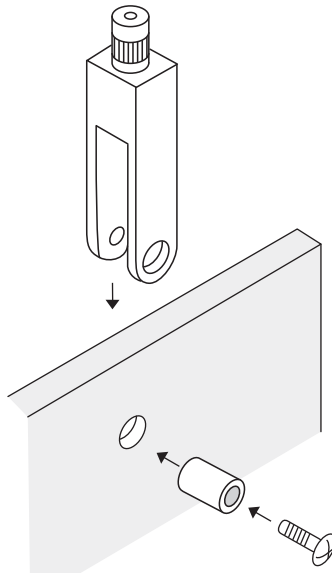
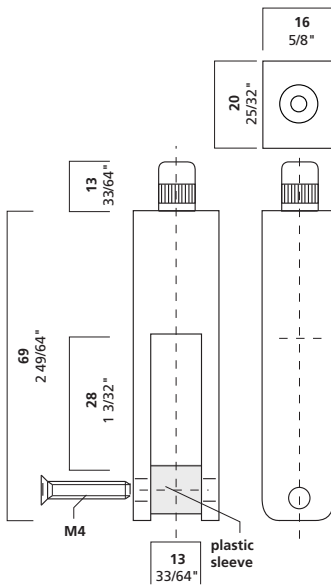


SF31SLSET



°SF31SLSET

SF31SLSET was designed to use with up to 1/2" thick glass panels. The extended throat length allows the hole to be drilled farther from the edge, as suggested by revisions to ASTM C-1048. SF31SLSET includes a 33/64"Ø plastic sleeve that covers the M4 screw and prevents glass edge to metal contact.



° Product Information

cable size

1/16" 1.5 mm
3/32" 2.5 mm

maximum weight

1/16": 65 lbs. 30 kg
3/32": 155 lbs. 70 kg

function

midway: glass, plexiglass, metal, wood, signs, panels, etc.

installation instructions

A hole (9/16" Ø) is drilled into the glass panel. Align SF31SL with hole, and fix with M4 screw.

Note: hole should be drilled 1 1/4" away from edge of glass.

2-3

Arakawa Hanging Systems

2505 SE 11th Avenue, Suite 122
Portland, Oregon 97202
phone: 503.236.0440
fax: 503.236.0427
toll free: 888.272.5292

www.arakawagrip.com

Copyright © 2007 Arakawa & Co., Ltd. All rights reserved.
Arakawa products are covered by U.S. and foreign patents, issued and pending. Specification and price change privileges reserved.

