

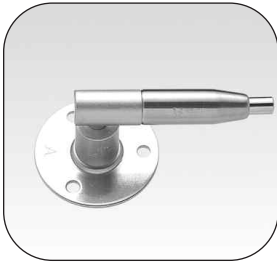
SF32



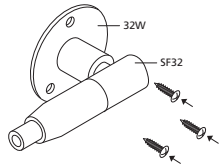
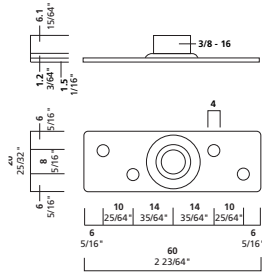
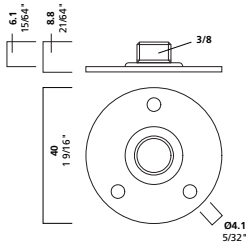
°SF32

SF32 incorporates the familiar bullet shaped Gripper body with a U-joint, permitting installations at difficult angles. The SF32 has a female thread so that it can be fastened to 3/8-16 threaded stud or hanger bolt. SF32 can also be used in combination with the 32W bushing or the 60W rectangular plate. The 32W bushing allows a three-point screw attachment with a #8 screw. The 60W permits a four-point installation into wood ceilings, rafters and the like.

°SF32 with 32W



°SF32 with 60W



° Product Information

cable size

1/16" 1.5 mm
3/32" 2.5 mm

maximum weight

1/16": 65 lbs. 30 kg
3/32": 155 lbs. 70 kg

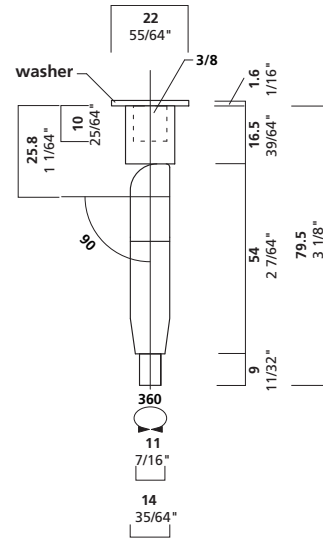
function

ceiling: 3/8-16 stud
midway

installation instructions

Attach to 3/8-16 anchor with all-thread stud for concrete, or use hanger bolt (3/8-16 thread) for wood studs.

2-3



Arakawa Hanging Systems

2505 SE 11th Avenue, Suite 122
Portland, Oregon 97202
phone: 503.236.0440
fax: 503.236.0427
toll free: 888.272.5292

www.arakawagrip.com

Copyright © 2007 Arakawa & Co., Ltd. All rights reserved.
Arakawa products are covered by U.S. and foreign patents, issued and pending. Specification and price change privileges reserved.

