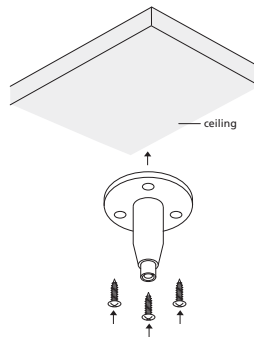
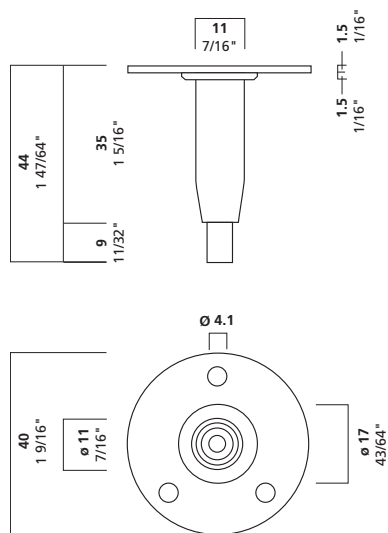


SF35SET



°SF35SET

SF35 is useful either as a ceiling fastener or a midway shelf holder. On the ceiling, the base plate allows for 3 screws, and extra holding power. Under a shelf, the screws can fasten into up to 1" thick material. Also available with Safety cap to prevent unintentional movement (SF35S).



° Product Information

cable size

1/16" 1.5 mm
3/32" 2.5 mm

maximum weight

1/16": 65 lbs. 30 kg
3/32": 155 lbs. 70 kg

function

ceiling: wood, blocking
midway: wood, plexiglass

installation instructions

Attach to ceiling with 3 #8 screws appropriate for ceiling material. Use anchor if necessary.

2-3



Arakawa Hanging Systems

2505 SE 11th Avenue, Suite 122
Portland, Oregon 97202
phone: 503.236.0440
fax: 503.236.0427
toll free: 888.272.5292

www.arakawagrip.com

Copyright © 2007 Arakawa & Co., Ltd. All rights reserved.
Arakawa products are covered by U.S. and foreign patents, issued and pending. Specification and price change privileges reserved.