

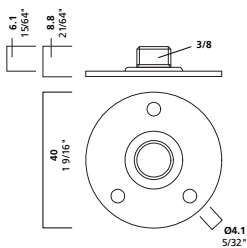
TF32+T



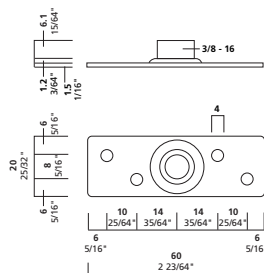
°TF32+T

The TF32+T is a versatile tensioner commonly used at the floor and as a horizontal or diagonal balustrade. Simply twist the body of this tensioner and it draws in the cable. The TF series was designed with a teflon washer to prevent cable twisting. The side exit allows for extra adjustability. Excess cable can be trimmed (Re-seal cable ends using Arakawa's cable cutting kit, part # CCK-R) The TF32+T can also be used in conjunction with the 32W (round plate) or with the 60W (rectangular plate) The 32W and 60W allow for either three or four connection points using a #8 pan head screw.

°TF32+T with 32W



°TF32+T with 60W



° Product Information

cable size

1/16" 1.5 mm

3/32" 2.5 mm

2-3

maximum weight

1/16": 65 lbs. 30 kg

3/32": 155 lbs. 70 kg

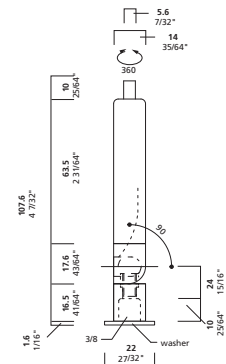
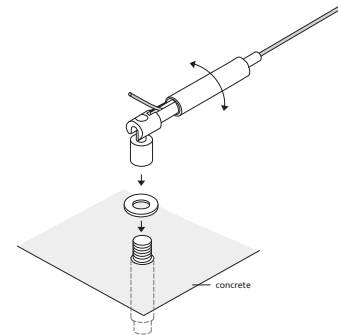
function

tensioner

installation instructions

Attach to 3/8-16 hanger bolts, all thread or bolts. Loosen tensioner from base about one inch. Insert cable; turn tensioner down by hand.

NOTE- Not suitable for outdoor use.



Arakawa Hanging Systems

2505 SE 11th Avenue, Suite 122

Portland, Oregon 97202

phone: 503.236.0440

fax: 503.236.0427

toll free: 888.272.5292

www.arakawagrip.com



Copyright © 2007 Arakawa & Co., Ltd. All rights reserved. Arakawa products are covered by U.S. and foreign patents, issued and pending. Specification and price change privileges reserved.