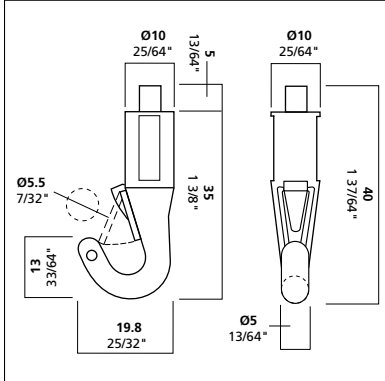
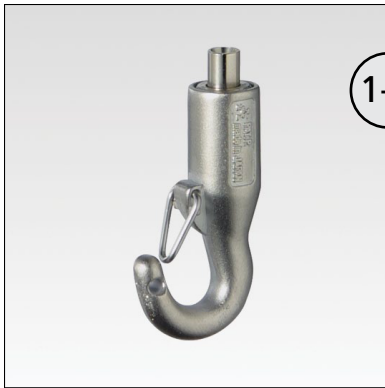


AF3P116SS



Cable Size

3/64": 1.2 mm
1/16": 1.5 mm

Maximum Weight

3/64": 40 lbs 18 kg
1/16": 65 lbs 30 kg

Function

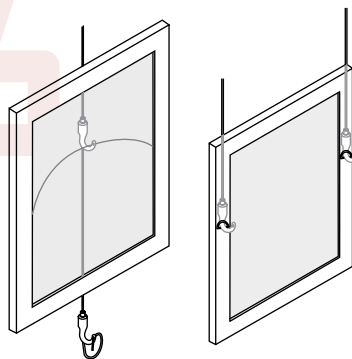
midway: hook

Description

Arakawa's AF3 series is our most popular solution for hanging framed art materials, and a small hole in the hook provides a place for excess cable to hide behind the artwork. AF3P116SS is a midway hook that it includes a small clasp--closing off an otherwise open hook--excellent in seismically active areas or for an extra security measure. AF3P116SS has a stainless steel finish and works with both 3/64" (1.2 mm) and 1/16" (1.5 mm) cable.

Installation

Attach AF3P116SS to the cable and connect to the D-ring or wire on the back of the frame, then secure with clasp. Once hook is in the desired position along the cable, loop the cable through the hole.



Arakawa

HANGING SYSTEMS

Arakawa Hanging Systems, Inc.

2505 SE 11th Ave, Suite 122

Portland, OR 97202

phone: 503.236.0440

fax: 503.236.0427

toll free: 888.272.5292

www.arakawagrip.com

Copyright © 2015 Arakawa & Co., Ltd. All rights reserved. Arakawa products are covered by U.S. and foreign patents, issued and pending. Specification and price change privileges reserved.

No warranty shall be extended to any goods which have been painted and/or modified by persons other than AHS.