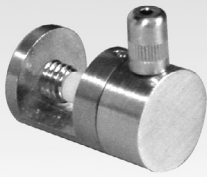


BRT1

Cable Size 3/64" - 1/16" 1.2mm - 1.5mm
Maximum Weight 3/64": 40 lbs. 18kg 1/16": 65 lbs. 30 kg
Function midway: glass, plexiglass, metal, etc.




Arakawa
HANGING SYSTEMS

Arakawa Hanging Systems, Inc.
2505 SE 11th Ave, Suite 122
Portland, OR 97202
phone: 503.236.0440
fax: 503.236.0427
toll free: 888.272.5292
www.arakawagrip.com

The BRT1 rotating gripper is a versatile holder for lighter weight vertical panels. The 360 degree rotation allows the same hardware to be used on the top and bottom sides of a rectangular or trapezoidal panel.

Installation

Attach each BRT1 to the panel, fasten with fixing screw and install onto previously suspended cable.

