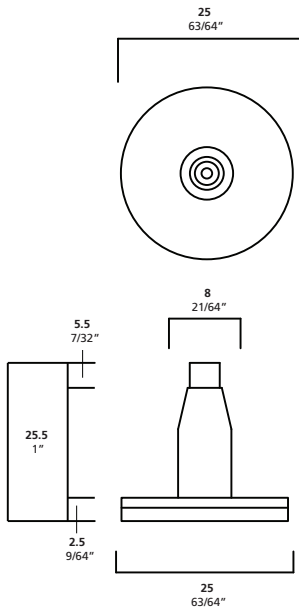


# BS35R



## °BS35R

BS35R is a standard shelf support. The clean lines of the body offer a nice detail, while supporting up to 1/2" thick material.



## ° Product Information

### cable size

3/64" 1.2 mm

1/16" 1.5 mm

1-2

### maximum weight

3/64": 40 lbs. 18 kg

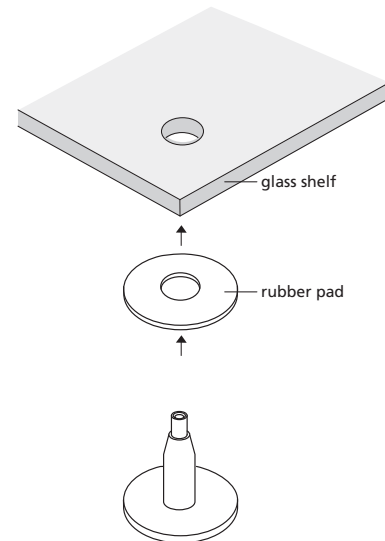
1/16": 65 lbs. 30 kg

### function

midway; glass, plexiglass

### installation instructions

To support shelf, drill 3/8" diameter hole in shelf, insert BS35R from underneath with the rubber pad in between.



## Arakawa Hanging Systems

2505 SE 11th Avenue, Suite 122

Portland, Oregon 97202

phone: 503.236.0440

fax: 503.236.0427

toll free: 888.272.5292

[www.arakawagrip.com](http://www.arakawagrip.com)



Copyright © 2009 Arakawa & Co., Ltd. All rights reserved. Arakawa products are covered by U.S. and foreign patents, issued and pending. Specification and price change privileges reserved.