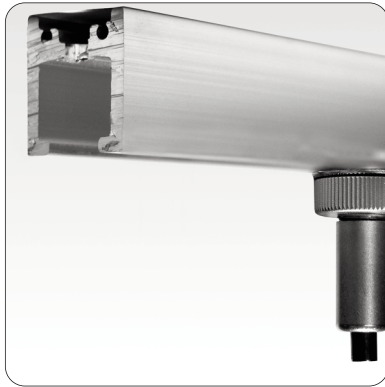


CRB Rail / CRC Rail



°CRB Rail

The CRB/CRC rails offer the same flexibility of the wall-mounted rails, but in a ceiling mounted installation. These 6' rails are ideal for hanging art, signs, or even shelves. Rail clips can be moved along the rail in any increments, allowing displays to be quickly positioned exactly as desired.



°CRC Rail

By mounting an additional rail in the floor, the user can supplement the full vertical flexibility expected from an Arakawa system with the horizontal flexibility of a rail-based system.

The rail fittings accept either 3/64" or 1/16" diameter cable, so the displays are functional using the full range of Arakawa products in these cable sizes.

° Product Information

cable size

3/64" 1.2 mm

1/16" 1.5 mm

1-2

maximum weight

3/64": 40 lbs. 18 kg

1/16": 65 lbs. 30 kg

function

ceiling-mount rail

rail clips associated with CRB / CRC

BS1R: rail clip, top rail

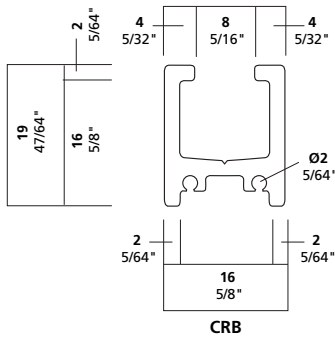
BS32RSET: rail clip, top rail

BS23BRSET: tensioner

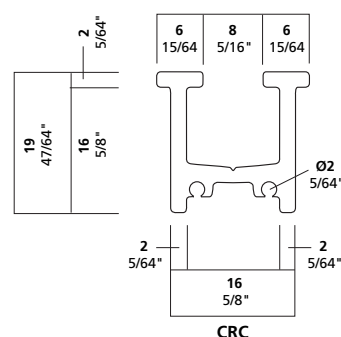
BS23DRSET: tensioner

note

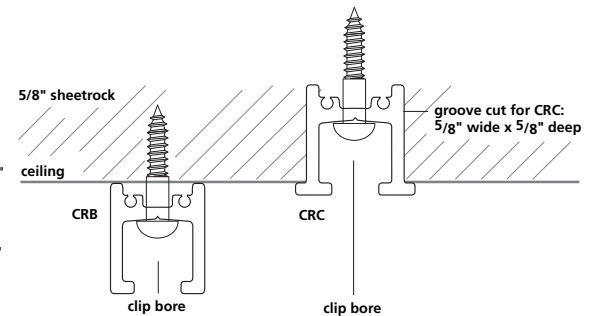
please comply with building codes when installing rails.



CRB



CRC



note:
Please comply with building codes when installing rails.

Ceiling Mount

Step 1

Determine ceiling construction methods. In most cases this will determine whether you are using CRB (surface mount) or CRC (flush mount for 5/8" sheetrock). Please comply with building codes when installing rails.

Step 2

Determine and mark location of rails. If you plan to run the track the full length of the ceiling, begin in the corner or end of wall area.

Step 3

For CRB: Attach the aluminum rail to the ceiling surface using the appropriate screws (screws are not provided with the CRB or CRC system).

If mounting to cement or masonry use appropriate anchors. If possible, mount to studs, or use sheetrock anchors. Connect adjoining rails with the alignment pin provided. When using alignment pin, there will be about 1/8" space between adjoining rails.

For CRC: When installing CRC to existing sheetrock, a groove 5/8" wide by 5/8" deep must be cut into sheetrock. For new construction, a space 5/8" wide by 5/8" deep must be left between adjoining sheet-rock sections. The flange on this rail will cover minor imperfections, but be careful to make straight cuts.

Arakawa Hanging Systems

2505 SE 11th Avenue, Suite 122

Portland, Oregon 97202

phone: 503.236.0440

fax: 503.236.0427

toll free: 888.272.5292

www.arakawagrip.com

Copyright © 2007 Arakawa & Co., Ltd. All rights reserved. Arakawa products are covered by U.S. and foreign patents, issued and pending. Specification and price change privileges reserved.

