

# FRB-Type



°FRB1SS

The FR-type rotating Gripper is ideal as a versatile holder for shelves and hang rods. The 360 degree rotation allows the same hardware to be used for either horizontal or angled shelves, or vertical panels, or hang rods.



°FRB2SS

° Product Information

**cable size**

1/16" 1.5 mm  
3/32" 2.5 mm

2-3

**maximum weight**

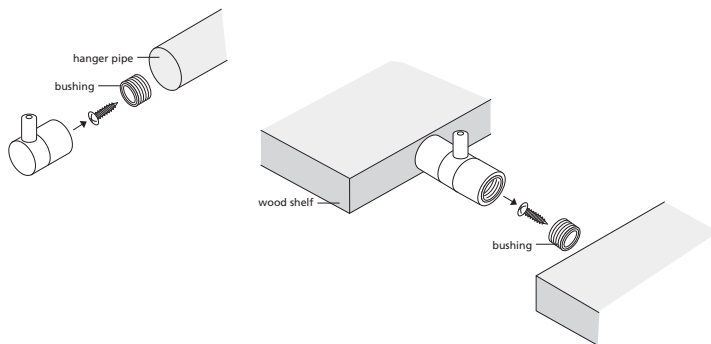
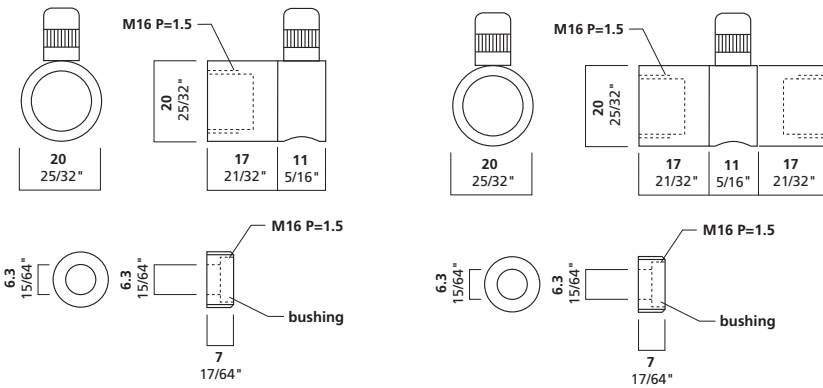
1/16": 65 lbs. 30 kg  
3/32": 155 lbs. 70 kg

**function**

midway: horizontal, angled, or vertical  
wood shelf, hang rod

**installation instructions**

Remove bushing from FRB. Attach bushing to hanger pipe with screw as shown (screw not included). Thread bushing back on to FRB, then attach FRB to suspended cable.



**Arakawa Hanging Systems**

2505 SE 11th Avenue, Suite 122  
Portland, Oregon 97202  
phone: 503.236.0440  
fax: 503.236.0427  
toll free: 888.272.5292

[www.arakawagrip.com](http://www.arakawagrip.com)

