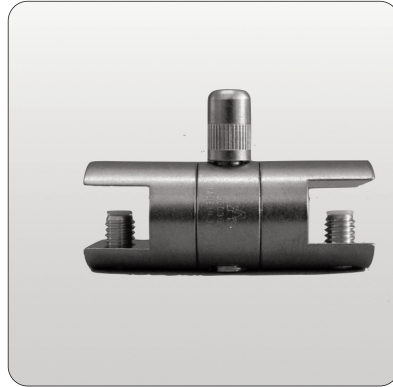


FRG-Type

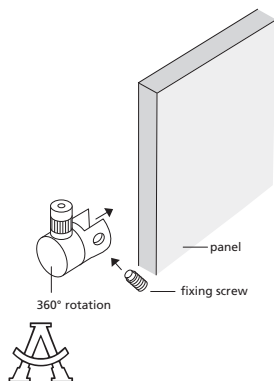
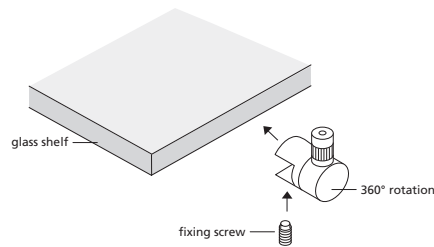
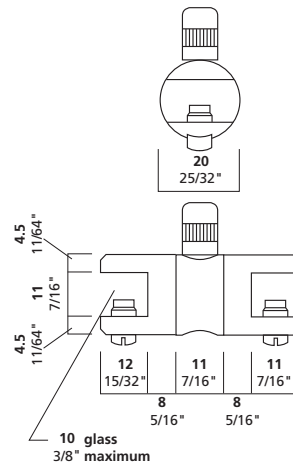
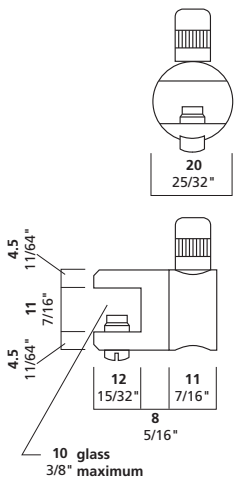


°FRG155



°FRG255

FRG-Type rotating Gripper is ideal as a versatile holder for glass shelves and lightweight diagonal panels. The 360 degree rotation allows the same hardware to be used for horizontal or angled shelves.



Product Information

cable size

1/16" 1.5 mm
3/32" 2.5 mm

2-3

maximum weight

1/16" : 65 lbs. 30 kg
3/32" : 155 lbs. 70 kg

function

midway: horizontal, angled, or vertical glass shelf
note: Please size panels accordingly, and retighten set screws regularly.

installation instructions

Clear pad should go on top of shelf (between FRG and top of shelf).
Attach FRG to glass shelf, then attach to suspended cable.

Arakawa Hanging Systems

2505 SE 11th Avenue, Suite 122
Portland, Oregon 97202
phone: 503.236.0440
fax: 503.236.0427
toll free: 888.272.5292

www.arakawagrip.com

Copyright © 2008 Arakawa & Co., Ltd. All rights reserved. Arakawa products are covered by U.S. and foreign patents, issued and pending. Specification and price change privileges reserved.