

HR1



°HR1

A clean finished stainless steel hang rod with a 1" outer diameter. Suspend hang rod with Arakawa SF35BO or SF35SBO cable gripper. SF35BO will fit into the predrilled holes. The tip of the SF35BO will point up. Ends can be finished with end caps, part #HREC-SS. Available in two standard lengths. Custom lengths are available. *(Minimum order quantities and longer lead times will apply)*

HR1-TH36TE- (36" hang rod)

HR1-TH48TE (47.75" hang rod)

HR1ECSS (Stainless Steel end caps for hang rod))

° Product Information

cable size

1/16" 1.5 mm

3/32" 2.5 mm

2-3

maximum weight

1/16": 65 lbs. 30 kg

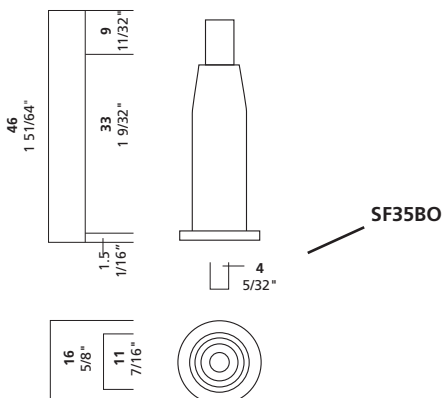
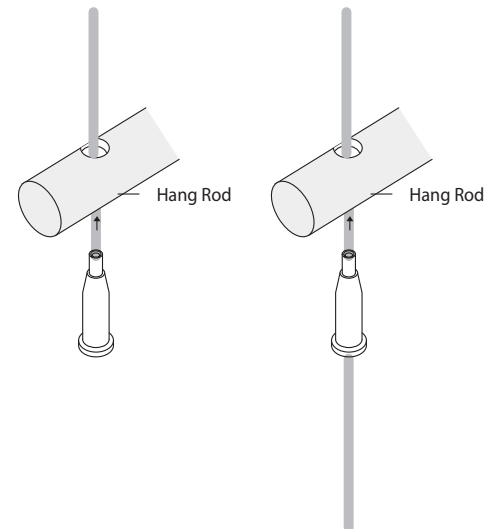
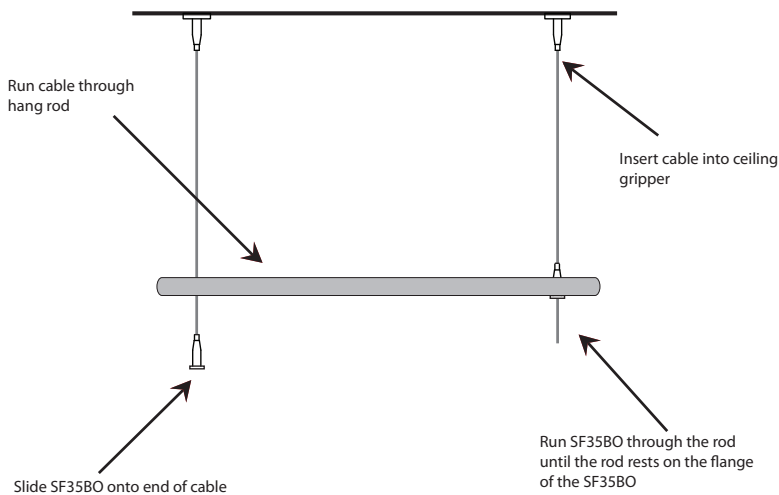
3/32": 155 lbs. 70 kg

function

midway: hang rod

installation instructions

Midway: install cable into ceiling fastener, pass cable through holes in hang rod, install SF35BO or SF35SBO onto bottom of cable and run through the hang rod until the rod rests on the flange of the SF35BO or the SF35SBO



Arakawa Hanging Systems

2505 SE 11th Avenue, Suite 122

Portland, Oregon 97202

phone: 503.236.0440

fax: 503.236.0427

toll free: 888.272.5292

www.arakawagrip.com

Copyright © 2009 Arakawa & Co., Ltd. All rights reserved. Arakawa products are covered by U.S. and foreign patents, issued and pending. Specification and price change privileges reserved.