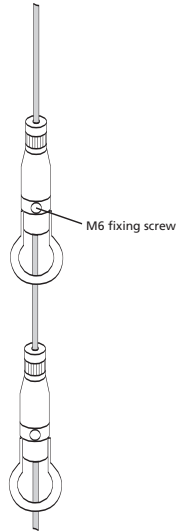
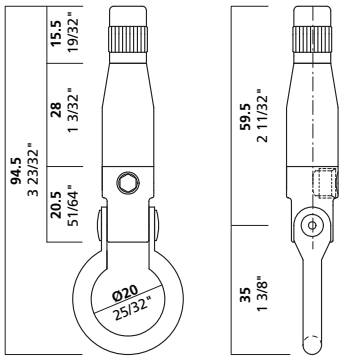


# MF21S



## MF21S

MF21S incorporates the familiar bullet shaped Gripper body into a ring. The MF21S works well for banners, flags and other materials. It includes a set screw for additional security.



## Product Information

### cable size

1/8" 3.0 mm

### maximum weight

220 lbs. 100 kg

### function

midway: ring

### installation instructions

Attach to hook.

4

call for availability



## Arakawa Hanging Systems

2505 SE 11th Avenue, Suite 117  
 Portland, Oregon 97202  
 phone: 503.236.0440  
 fax: 503.236.0427  
 toll free: 888.272.5292

[www.arakawagrip.com](http://www.arakawagrip.com)

Copyright © 2005 Arakawa & Co., Ltd. All rights reserved.  
 Arakawa products are covered by U.S. and foreign patents, issued and pending. Specification and price change privileges reserved.