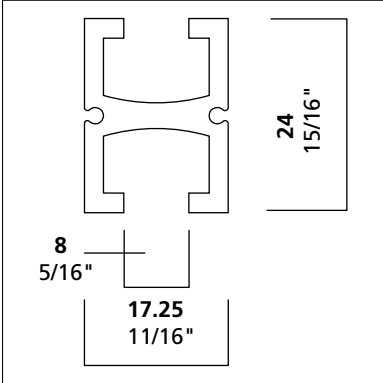
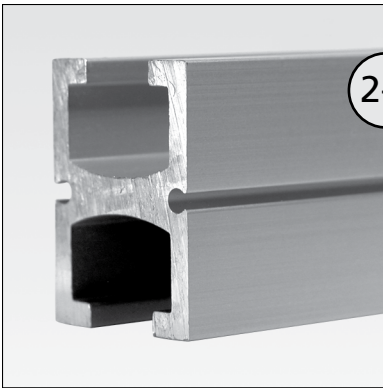


# MH Rail



Cable Size	
1/16"	1.5 mm
3/32"	2.5 mm

Maximum Weight		
1/16"	65 lbs	30 kg
3/32"	155 lbs	70 kg

**Function**  
rail system: ceiling-mounted, floor-mounted, wall-mounted

**Description**  
MH is an extruded aluminum rail with a clear anodized finish. MH comes in 6-foot lengths (MH1800-a) with two (2) alignment pins for connecting adjoining rails, and offers the flexibility of ceiling-, floor-, or wall-mounted installation (requires MH1LBSET, purchased separately).  
MH rail fittings (Arakawa parts MJ1B [ceiling], MJ1BJ [ceiling], MS1BJ [ceiling] and SF32TUR [ceiling and wall], all purchased separately) attach at any location and can be moved in any direction along the rail; MH rolling rail fittings (Arakawa parts MJ1C and MJBC [ceiling], purchased separately) must be inserted from either end of rail prior to installing optional MH end caps (MH1EC, also purchased separately). Mounting MH rail to the floor using TF32TUR rail fittings allow cables to be tensioned, thereby reducing normal cable sway.

**Installation**  
**Ceiling/Floor Installation**  
Determine and mark desired location of MH rail(s); if you plan to run the track the full length of the ceiling/floor, begin in the corner or end of wall area. Attach rail to ceiling or floor using 5/16" hex nut (51618HN purchased separately) and 5/16W bolt (not provided). For ceiling installations, attach the MH rail(s) to the ceiling structure using 5/16" hangers (not provided) as shown in Figure 1. If necessary, connect adjoining rails with alignment pins. If desired, metal end caps (MH1EC, not provided) provide a clean finish for exposed ends.  
**Wall Installation**  
Determine and mark desired location of MH rail(s); if you plan to run the track the full length of the ceiling/floor, begin in the corner or end of wall area. Attach MH1LBSET (purchase separately) to wall studs with appropriate hardware (not included) depending on stud type. Recommended wall mounting points should be between 12 and 18 inches, but spaced no further than 18 inches apart. Attach MH rail to MH1LBSET with 5/16W bolt and 5/16" hex nut (see Figure 2). If necessary, connect adjoining rails with alignment pins. If desired, metal end caps (MH1EC, not provided) provide a clean finish for exposed ends.

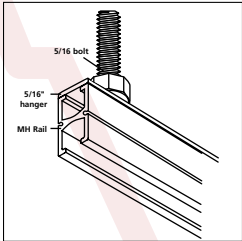


Figure 1

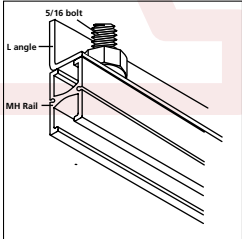


Figure 2

**Arakawa**  
HANGING SYSTEMS  
Arakawa Hanging Systems, Inc.  
2505 SE 11th Ave, Suite 122  
Portland, OR 97202  
phone: 503.236.0440  
fax: 503.236.0427  
toll free: 888.272.5292  
[www.arakawagrip.com](http://www.arakawagrip.com)