



Arakawa

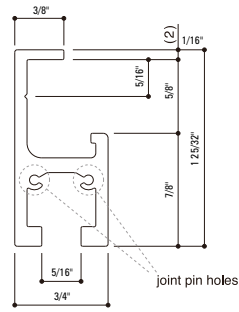
HANGING SYSTEMS
Arakawa Hanging Systems, Inc.
 12555 NE Marx St. Bldg #11
 Portland, OR 97230
 phone: 503.236.0440
 fax: 503.236.0427
 toll free: 888.272.5292
www.arakawagrip.com

MR-3

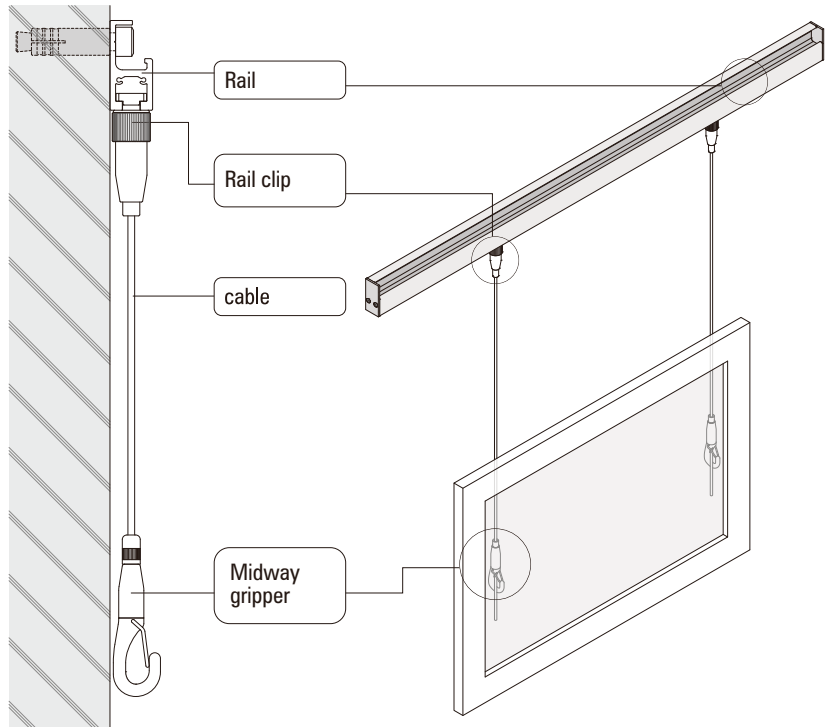
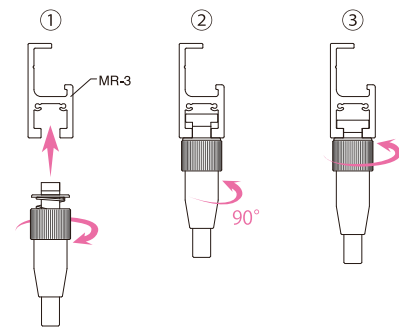
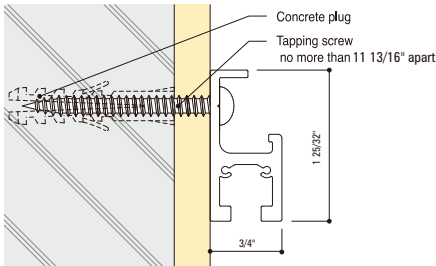
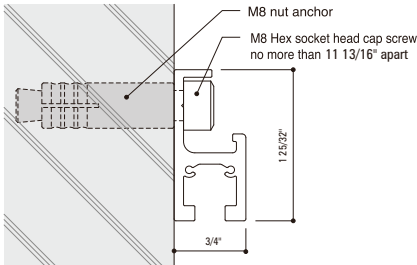


Type: wall-mounted
 Function: rail system
 Material: aluminum
 Finish: clear anodized aluminum

Description
 length: 6 ft
 anchor placement: every 12"



Concrete Slab Wall



MRD-32

$\phi 1/16''$: 78lbs* $\phi 3/32''$: 186lbs* $\phi 1/8''$: 264lbs*



Type: MR-3 rail fitting
 Function: ceiling
 Material: stainless ,brass
 Finish: satin, matte nickel plating

* Maximum weight based on 2 cables

