

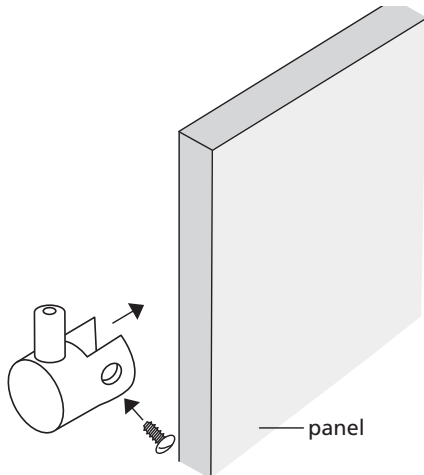
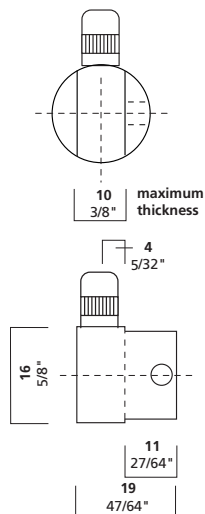
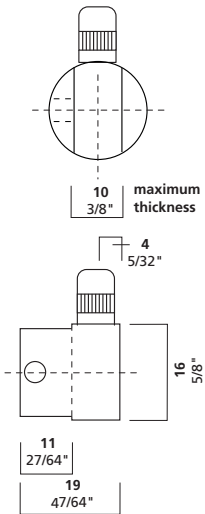
# BSV-Type



°BSVL15

°BSVR15

The BSV-Type non-rotating Gripper is ideal as for lightweight vertical plexiglass, or metal panels. Similar to the FRG, but smaller, accepts smaller cable and lighter loads to accentuate a more invisible look. BSV-Type will hold a vertical panel using a plastic-tipped set screw. The allowable weight depends greatly on panel materials used and conditions of the installation space.



° Product Information

1-2	<b>cable size</b> 3/64" 1.2 mm 1/16" 1.5 mm
	<b>maximum weight</b> 3/64": 40 lbs. 18 kg 1/16": 65 lbs. 30 kg
<b>function</b> midway: vertical panels, plexiglass, metal note: Please resize panels accordingly, and retighten set screws regularly.	
<b>installation instructions</b> Clear pad should go between BSV and panel. Attach BSV to panel, then attach to suspended cable.	



**Arakawa Hanging Systems**  
2505 SE 11th Avenue, Suite 122  
Portland, Oregon 97202  
phone: 503.236.0440  
fax: 503.236.0427  
toll free: 888.272.5292

[www.arakawagrip.com](http://www.arakawagrip.com)

Copyright © 2007 Arakawa & Co., Ltd. All rights reserved. Arakawa products are covered by U.S. and foreign patents, issued and pending. Specification and price change privileges reserved.